

Design Your Security - Signature Standard Range



Where the design integrity of the property is top priority, there is a desire for the necessary hardware to blend into the design thus, becoming virtually invisible to the end-user. Signature by VingCard is design conscious and appeals to the most sophisticated styles in the hotels worldwide.

Features:

- Stand alone electronic lock with magnetic stripe and combo reader capability.
- Powered by 3AA batteries that provides up to 3 years normal life time.
- 600 event audit trail.
- UL-fire listed for usage on fire doors.
- Solid brass handle with self lubricating long life bearings.
- High security mortise lockcase available in ANSI, US ANSI, JPN, AUS and EURO versions.
- 3 point steel latch construction with an antifriction mechanism.
- Case hardened full 1-inch (ANSI) throw deadbolt.
- Auto deadbolt option available.
- Panic release function – the deadbolt and latch are automatically retracted by inside handle for easy egress in emergency situations.
- Compliant with ADA (Americans with Disabilities Act) requirements.
- 2 alternative brass based escutcheon in modern design available.
- No accessible parts from the outside (i.e. no set screws on handles etc.).
- Future proof re-programmable FLASH RAM lock memory.
- High quality card reader that reads both on insert and removal for optimal accuracy.
- Compatible with VingCard's 2100 PLUS and VISION systems (software platforms).

Design & Finishes

Design features	Design benefits
Unique minimalistic design	Allows architects and designers maximum design freedom in terms of preserving the door aesthetics
Wide range of finishes	Blends well with any general design style expression
Intuitive and enhanced card user interface	Minimizes the risk for wrong card insertion and user errors
2 alternative bezel designs	Blends well with any general design style expression
Exclusive Designer handle collection from some of the world's most famous designers	Allows a truly individualized and exclusive design expression in the corridors and the guest rooms



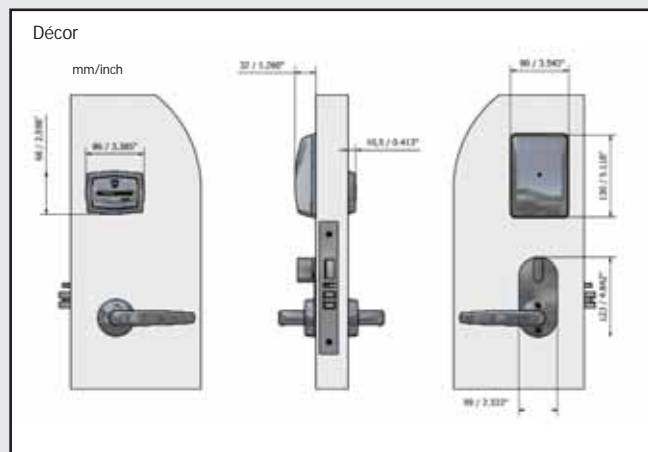
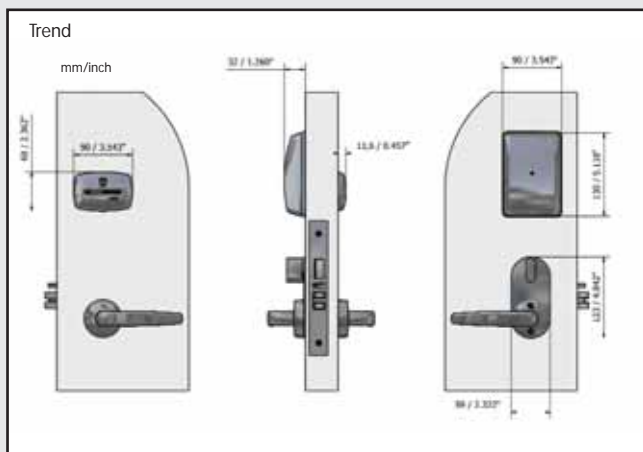
Signature Trend by VingCard

Signature Trend by VingCard is especially suited for contemporary and modern hotel environments. It enhances the overall image of the corridor with the slim and discrete bezel which perfectly blends into the door, creating a pleasant atmosphere with a minimal appearance on the door.



Signature Décor by VingCard

Signature Décor by VingCard has been designed with the classic and decorative hotel styles in mind. With its elegant curved bezel, Décor provides an exclusive image and ambience of a classic and decorative style, where previous electronic locks have been found very difficult to enrich the overall atmosphere.



Signature standard range handles

For the Signature Trend and Décor readers, there is a choice of 4 different handles. 4 different styles in order to suit your need and design environment of your property. All handles are delivered in same finishes as the reader for a concise and stylish look. *(Signature by VingCard has an optional Designers' Collection for an even wider choice of handles, for more information, please contact your local sales representative).*



Gothic



ANSI



Straight



Wing

Finishes

Offering one of the industry's widest choice of finishes, Signature by VingCard can be configured to truly match the design of any property.



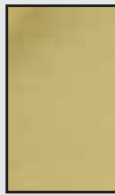
Satin chrome



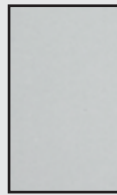
Polished Chrome



Satin Brass



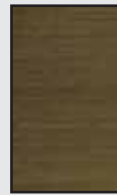
Polished Brass



Velour Nickel w/Polyester



Light Bronze



US Antique Oil Rubbed



Dark US Antique Oil Rubbed



Antique Polyester

Options

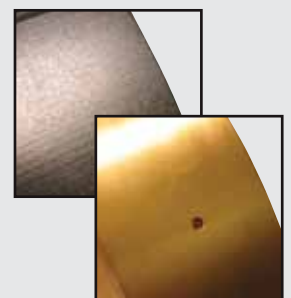
Cylinders

Signature by VingCard may also be supplied with an optional mechanical override cylinder, widely recognized as the finest in the industry. For more information, please see the Signature Brochure.



Battery cover

- Signature Standard Range comes with a special high-resistant Polymer Battery Cover.
- Battery Cover can optionally be upgraded to match the rest of the lock finish
- Signature Designers' Collection battery cover always matches the finish of the rest of the electronic lock.

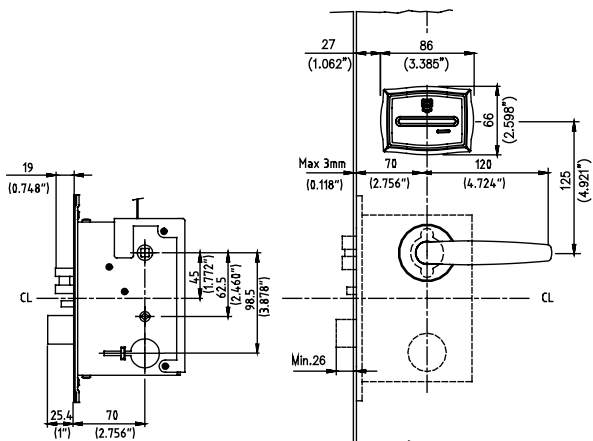


For more information about Signature by VingCard, please visit www.vingcard.com or request a brochure from your local distributor.

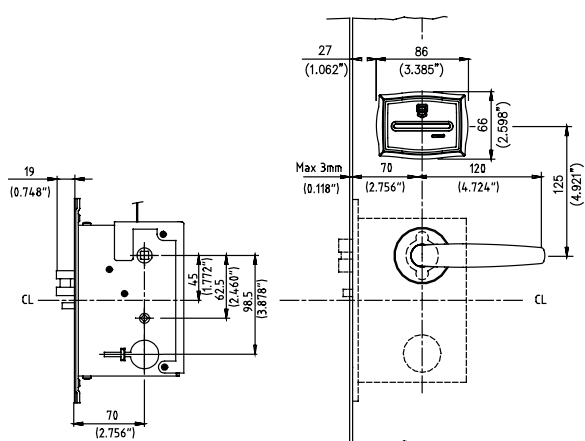
Note: Photos may differ from actual finish.

Specifications

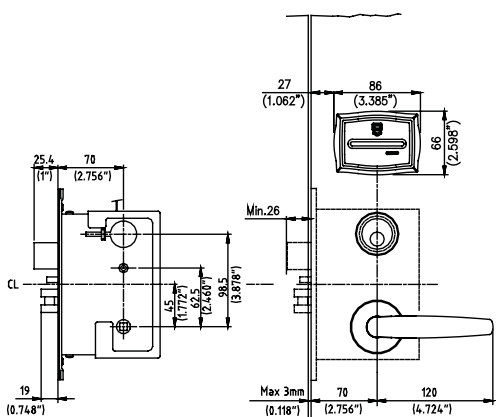
ANSI lockcase:



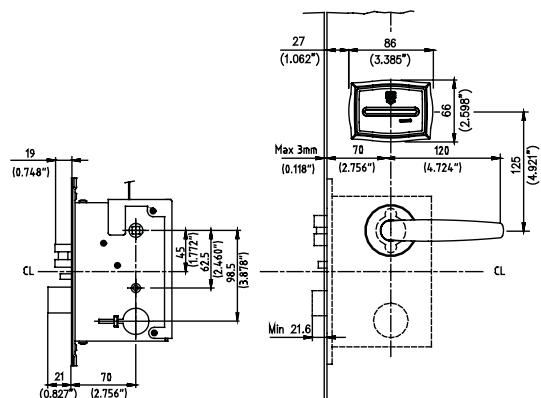
AUS lockcase:



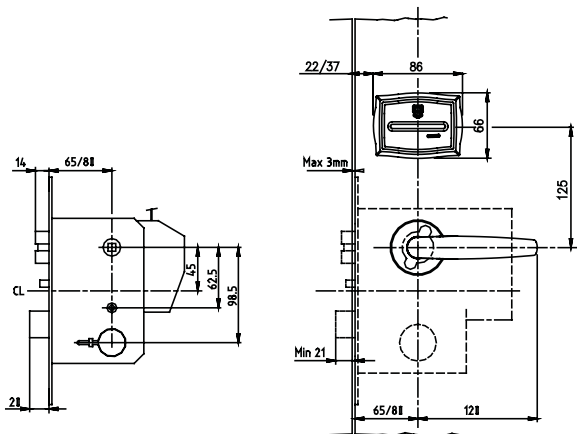
US ANSI lockcase:



JPN lockcase:



EURO lockcase:



Suitable for the American, Japanese and Pacific Ocean market in three versions (ANSI):

- 25 mm front
- 28 mm front
- 32 mm front

Backset: 70 mm

Suitable for the European market in three versions (EURO):

- 20 mm front
- 22 mm front
- 24 mm front

Backset: 65 mm

Contact details:

Špica Centar d.o.o.

SPICA

Beogradska 39
11000 Beograd
Tel: +381 11 32 47 415
Email: info@spica.rs
WEB: www.spica.rs

www.vingcard.com

Signature
by VingCard®



- We listen -